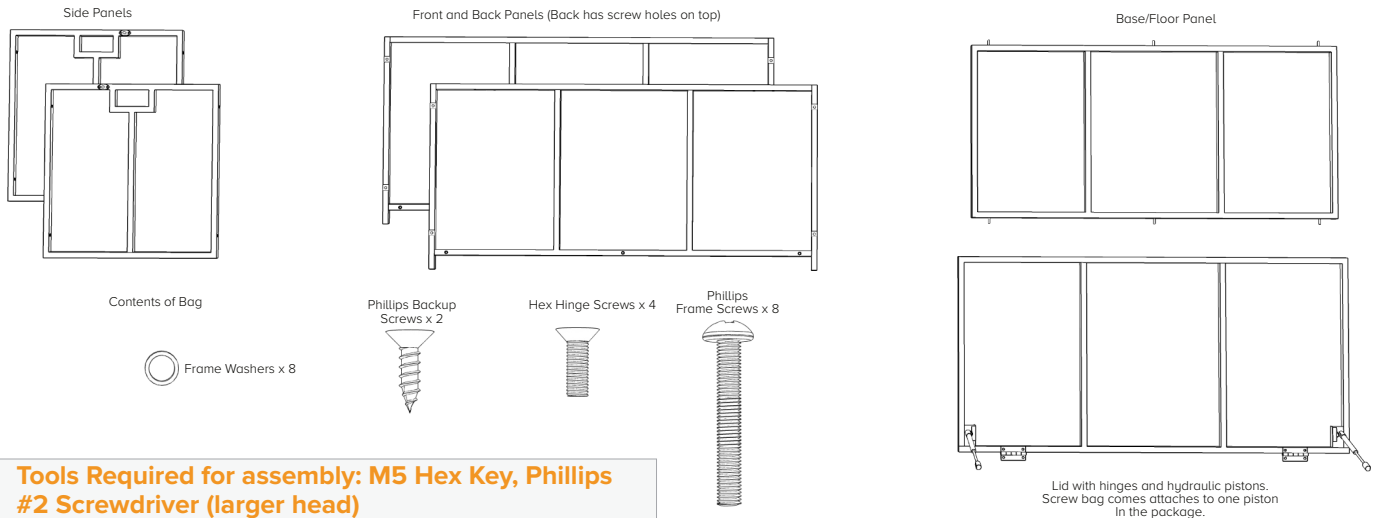


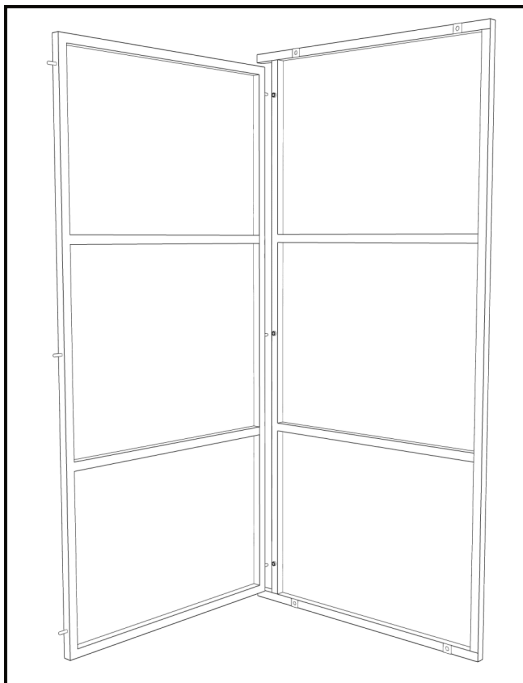
TR-9070 Storage Trunk Assembly

Marco Polo Furnishings always recommends careful attention is paid to assembly of this item. Some parts during assembly like hinges are sharp and our kit includes small screws not suitable for children. Marco Polo Furnishings is not responsible for injury through inappropriate assembly and use of our products.

Step 1 Account for pieces and parts provided. Do not use a sharp blade when unwrapping the product as it may cut in to resin.

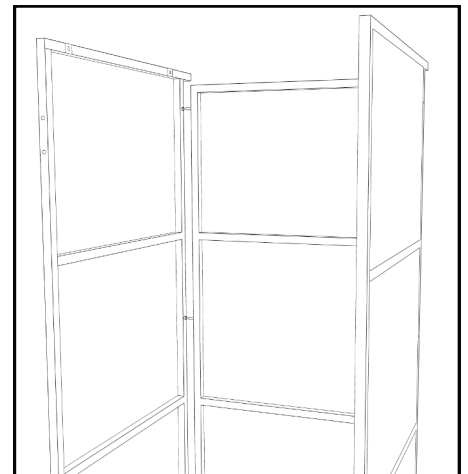


Tools Required for assembly: M5 Hex Key, Phillips #2 Screwdriver (larger head)

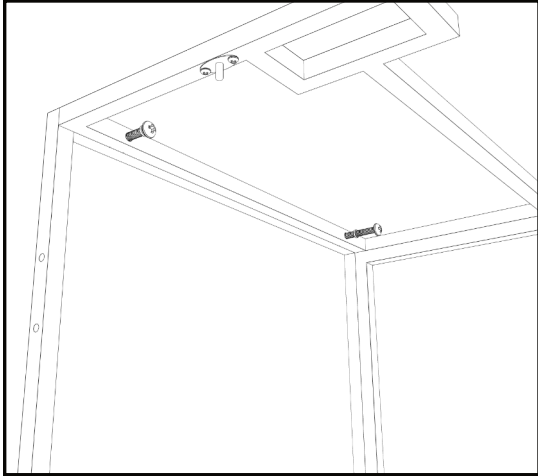


Step 2 Stand up the Base/Floor Panel and the Back Panel on their end to form an 'L'. Fit the pins from the Base/Floor Panel into the holes on the panel.

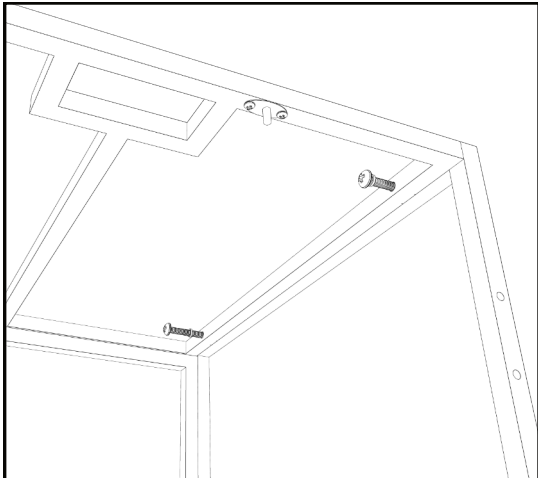
Step 3 Stand up the Back Panel (the one with the screw holes at the top) and fit the pins into their respective holes.



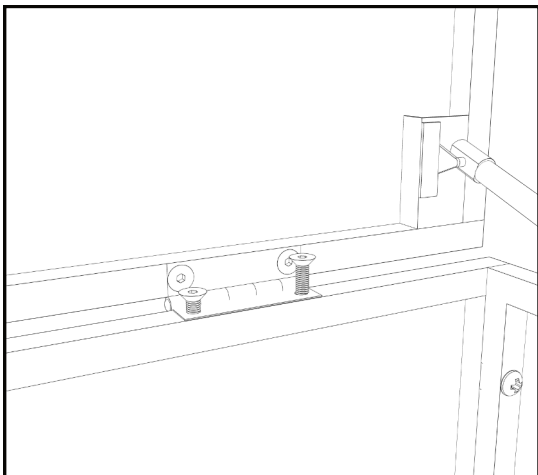
TR-9070 Storage Trunk Assembly



Step 4 Place one of the Side Panels at the top of the existing 'U' shape. The chrome pin above the handle is closest to the Back Panel as pictured. Put in the Frame Screws with Washers 1/4 of the way in on both sides. Once they're all in place, tighten them with a large head Phillips screw driver.



Step 5 Flip the entire structure and place the remaining Side Panels at the top like in Step 4. The chrome pin above the handle is closest to the Back Panel as pictured. Put in the Frame Screws and Washers 1/4 of the way in on both sides. Once they're all in place, tighten them with a large head Phillips screw driver.



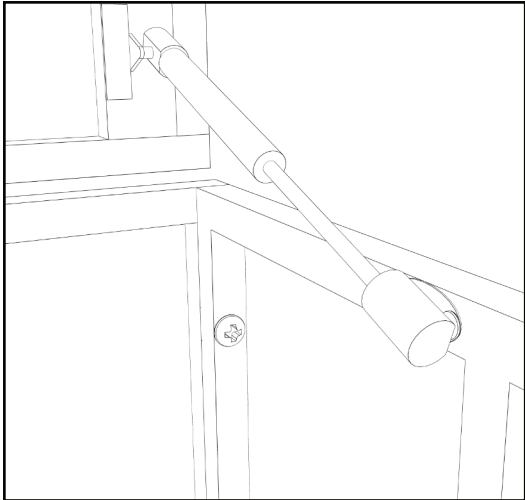
Step 6 Place the entire unit on its legs. Grab the Lid Assembly and place the hinge flat on the preset holes in the top of the Back Panel. Put the first screw on the end of one hinge. Put all screws in about 1/2 way. Once all of them are in and aligned, securely tighten all the lid screws.

Note The provided kit includes two Backup Screws. If, for some reason, the main Hinge Screws get damaged, the middle hole can be used with the Backup screws to provide extra support for the Lid. Using these screws will require a drill with a phillips head to install.

Be careful when handling the top as the loose hinge and screw components can be quite sharp.

DO NOT stand inside trunk.

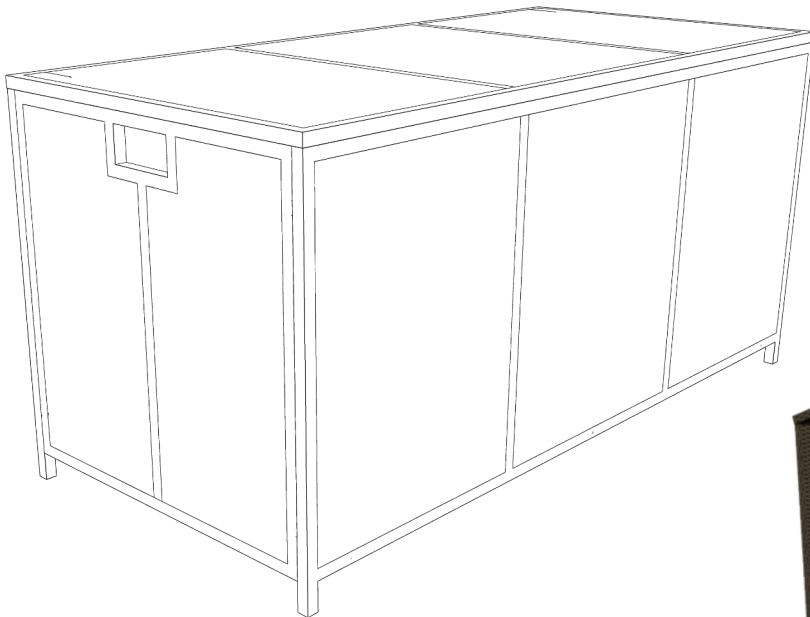
TR-9070 Storage Trunk Assembly



Step 7 Attach the hydraulic piston to the post on the Side Panels by firmly pushing them in until you hear or feel a click. If the piston does not reach, you can pull it out to full length (may take some strength to do so). Test the top to make sure it stays open and closes all the way.

Note if you cannot get the piston to reach, you may have reversed the Side Panels in steps 4 and 5. If this is the case, remove the Frame Screws from each, flip them around, and re-attach.

Step 8 Go back and make sure all of the Frame Screws are tight. This will make sure the box is as weather protected as possible and it is stable when in the open position.



Your completed trunk will look like this.