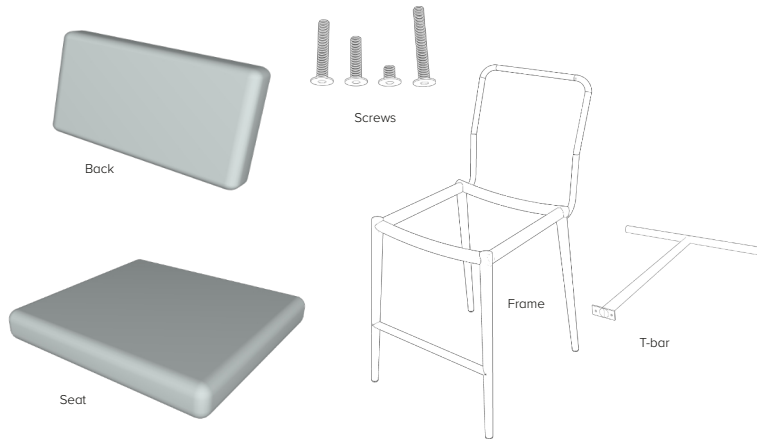


BGBG-0021 Bar Chair Assembly Guide

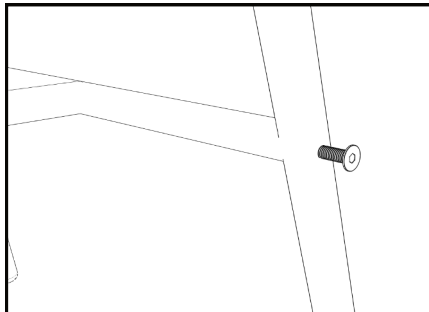
This document show the basic assembly of the BGBG-0021 Bar Chair. Marco Polo Furnishings is not responsible for damage and/or loss of use as a results of installation caused issues.



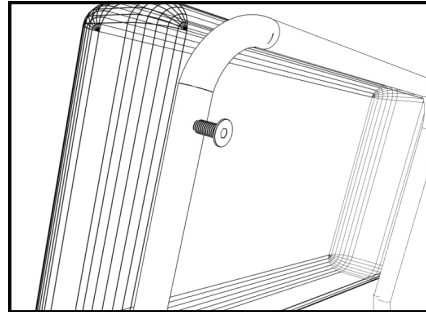
Step 1 Account for pieces and parts provided.

Note that the screws may be bulk packaged and contained in larger bags in shipment. Please check all boxes before reporting product shorts.

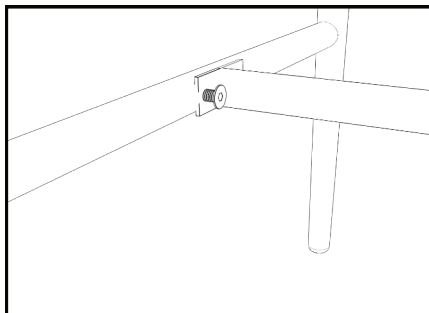
Make sure all screws are tight otherwise there may be loosening over time causing potential injury or product damage.



Step 2 Install T-Bar (installed with holes facing down). Screw in sides first with M6 45MM (longest) screws. Put in screws 1/4 in on both sides. Do not tighten.



Step 5 Attach back to frame. Back alignment: zipper facing down with screw holes against frame. Using M6 35MM screw (2nd longest), put on screw in 1/4 way (do not tighten)



Step 3 Continue T-Bar installation. Screw in M6 8 MM screws (shortest) on attachment plate on T-Bar to the back side of the welded kick bar on frame. Put in screws 1/4 in on both sides..

Step 6 Hold the back tight against the frame and put the other screws in 1/4 way. If not held tight, the screws may not reach the threads or align with the hole. Once all screws are on, tighten them all in.

Step 7 Lay Chair down on its back (with the back against the floor). Align the seat to the frame with the holes facing the frame. The holes closest to the edge on the seat go toward the back (in this case the floor). Using M6 25 MM screws (2nd shortest), screw all of them in 1/4 way holding the seat firmly against the frame. Once all screws are in place, tighten all screws on the seat.

Step 4 Tighten all screws on T-Bar.